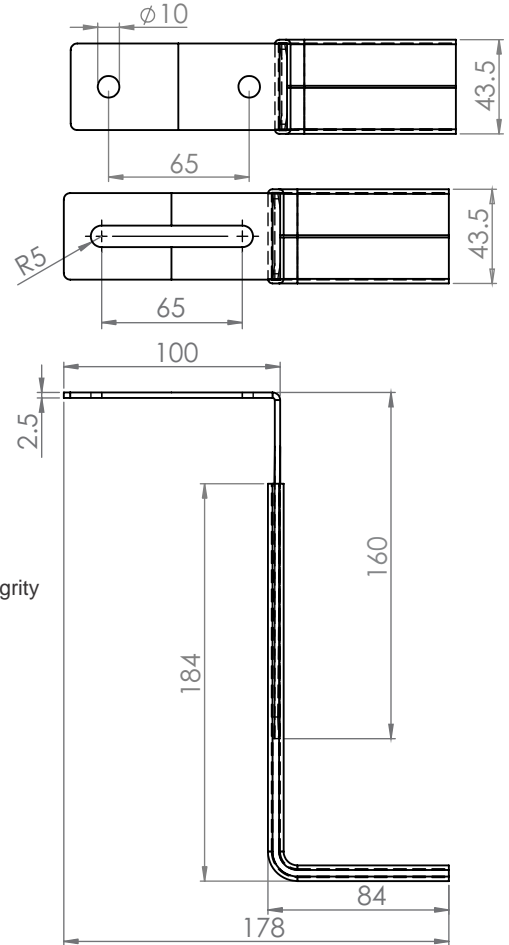


High Strength Horizontal Control Gap Tie



DESCRIPTION

Horizontal control gap tie for brick and block work. This tie will retain masonry integrity against lateral wind loads, de bonding slide will absorb differential movement.

FEATURES

- Clay brick / block work
- Increased bond strength
- High strength vertical control gap tie
- Tested to a control gap of 40mm (max gap 40mm)
- Universal applications / in prep and in core
- Tested for in-core cast in hollow blocks
- Australian design & tested AS/NZS 2699.2:2020

CORROSION CHARACTERISTICS

Hot dipped galvanising (R3)
 Stainless steel 316L (R4)
 Conforms to corrosion resistance set by AS/NZS 2699.2:2020 / AS 3700.

ORDERING INFORMATION

When ordering please supply use with the part number and quantity you require

SLIDE-SD04-2H-R4

PRODUCT CODE

SLOT / HOLE

MATERIAL

Specify
2H for holes
S for a slot

Specify
R3 for Hot dipped galvanised
R4 for Stainless steel 316L

